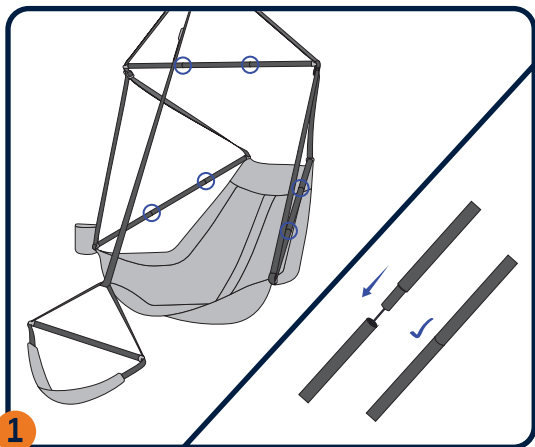


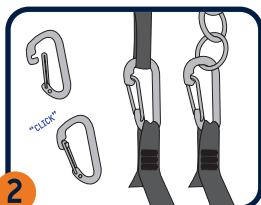
LOUNGER™ HANGING CHAIR SET UP

THE LOUNGER HANGING CHAIR MUST BE SET UP PROPERLY. CAREFULLY FOLLOW ALL INSTRUCTIONS AND USE ONLY UNDER SAFE CONDITIONS.



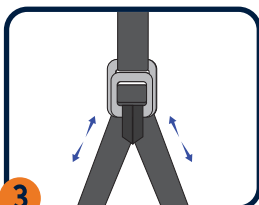
1

Assemble chair frame by fully connecting all aluminum poles together, and visually check that poles are fully seated before use.



2

Attach chair to a fixed, stable anchor point that can safely support chair and its occupant. Visually confirm that the carabiner's gate is completely closed before use.



3

Adjust recline angle of chair (while unseated) by pulling tab and sliding webbing through hardware.

KEEP YOUR CHAIR OUT OF DIRECT UV LIGHT WHEN NOT IN USE.
DO NOT LEAVE YOUR CHAIR OUTSIDE PERMANENTLY.

Eagles Nest Outfitters, Inc.

601 Sweeten Creek Industrial Park
Asheville, NC 28803
ph: 828.252.7808
mail@enonation.com



enonation.com
DESIGNED IN ASHEVILLE, NC, USA
MADE IN CHINA

ACCIDENTS HAPPEN

- Never hang your chair higher than 24 inches off the ground.
- This lightweight hanging chair is rated to a maximum of 250 lbs.
- Always test the chair to ensure it is assembled correctly before putting your full weight into it.
- Do not jump, bounce, spin or swing aggressively in the chair.
- Before using, confirm the area beneath the chair is free of sharp objects, rocks, trash, and any other debris that could create a hazard.
- Before every use, fully inspect carabiner and straps for snags, fraying, and general wear and tear in addition to anything unusual and/or different from the time of purchase. If anything suspect is found during inspection, please discontinue use.
- Do not permit children to use unattended
- Do not drop or strike chair on ground or other objects.
- Do not modify, after market modifications will void your warranty.

FOR MORE INFORMATION VISIT ENONATION.COM/SAFETY

PRODUCT CARE

With proper care, your chair will provide countless hours of relaxation.

- Keep it out of direct UV light when not in use and store dry in a cool place.
- Never leave your chair unattended.
- Prevent damage by removing sharp items in pockets and debris from shoes.
- Chairs are flammable; keep away from open flames and embers.
- Get it dirty? Remove the carabiners and hand wash in cold water using a mild detergent. Hang dry and you're back in the game!

FOR MORE INFORMATION VISIT ENONATION.COM/CARE

WARRANTY

ENO warrants our product to be in good condition upon receipt and free from manufacturing defects for a period of 2-years from the original date of purchase.

This warranty only covers manufacturing defects and does not cover:

- UV Damage (discoloration and brittleness causes tearing)
- Elemental/Accidental Damage (wind, burns, animal bites)
- Improper care or use (hanging over 24", jumping, swinging)
- Normal wear and tear
- After-market design modifications

FOR MORE INFORMATION VISIT ENONATION.COM/WARRANTY

It truly means the world to us that you have chosen to make ENO part of your life. Welcome to the family! The highest compliment we could possibly receive is for you to tell your friends about us. If you enjoy these ENO products as much as we do, then please consider spreading the hammock word.

Keep exploring, adventuring and relaxing...we hope to see you around!

Yours in hammocks,



Peter Pinholster



E-Q1